



UPTEK

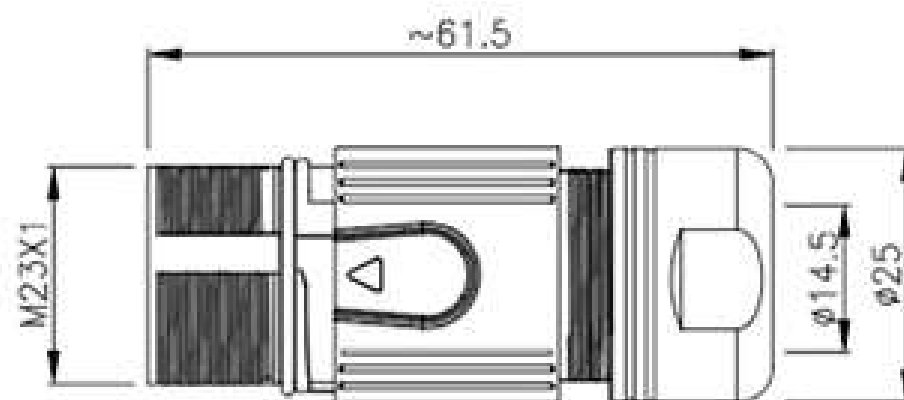
Upgrading Technologies



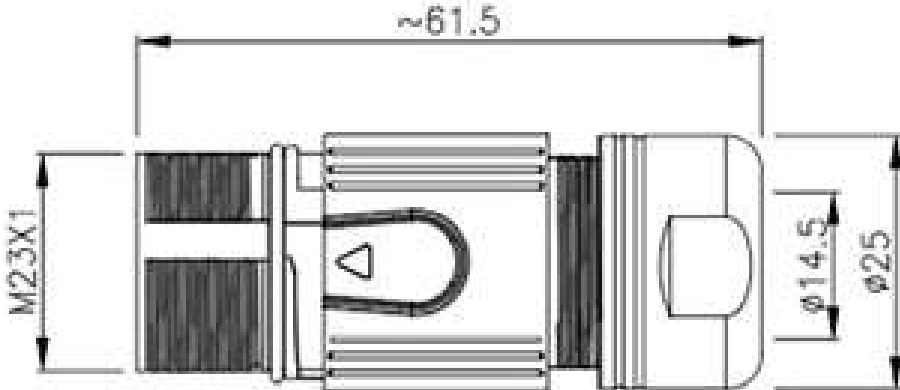
Encoder connector



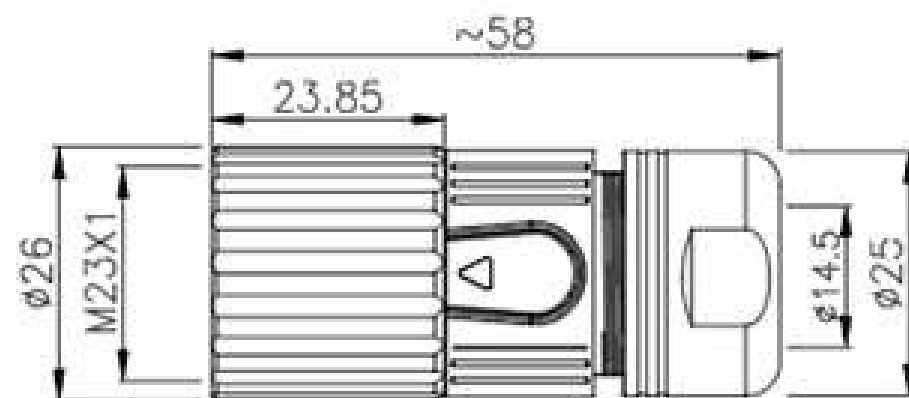
EYT-M23RRM



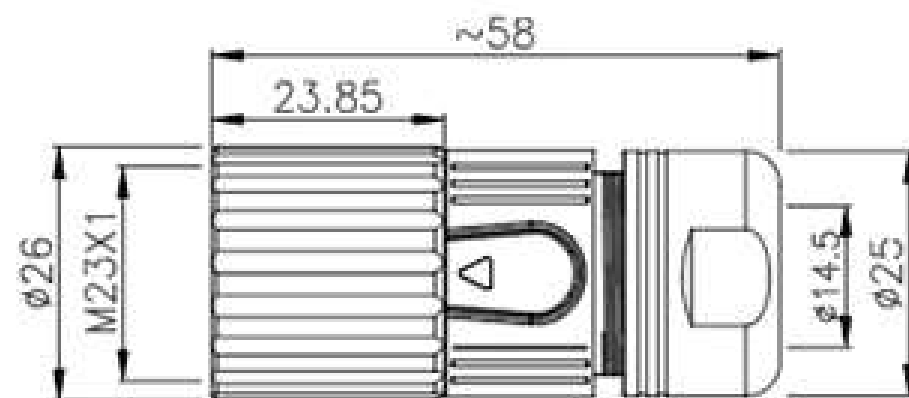
EYT-M23RRH



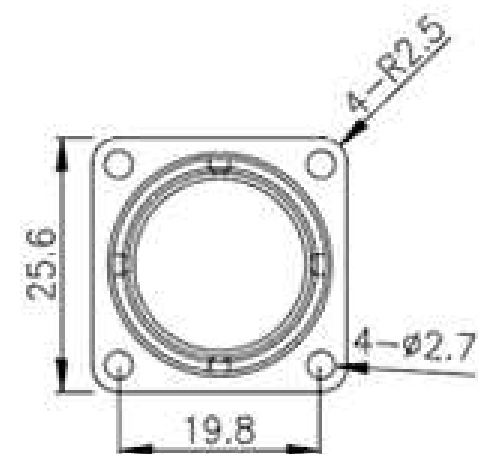
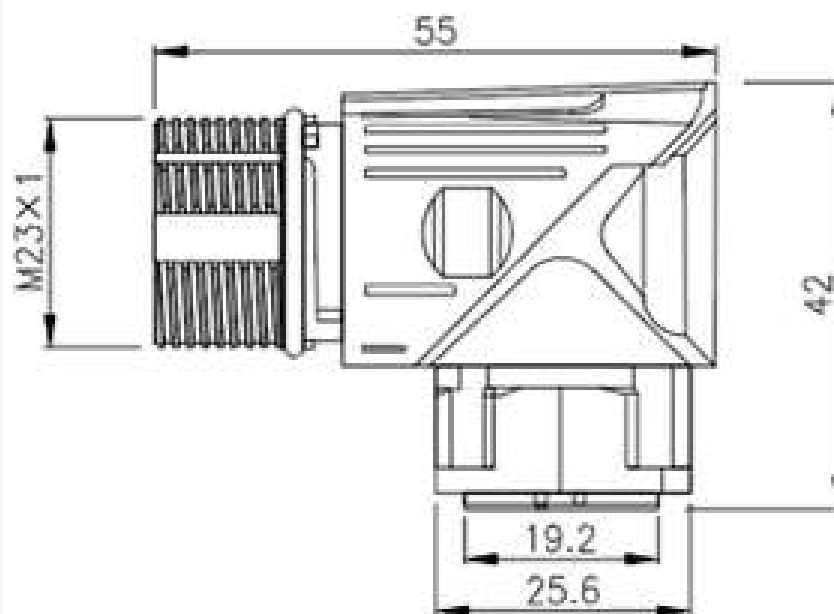
EYT-M23RPM



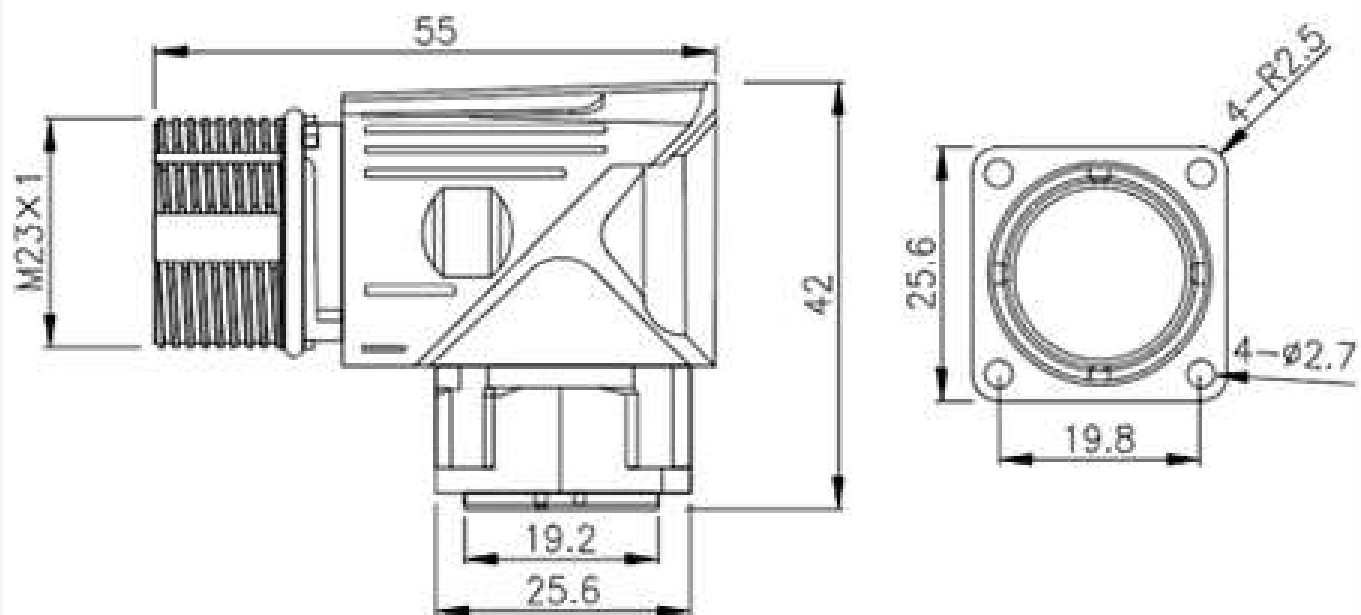
EYT-M23RPH



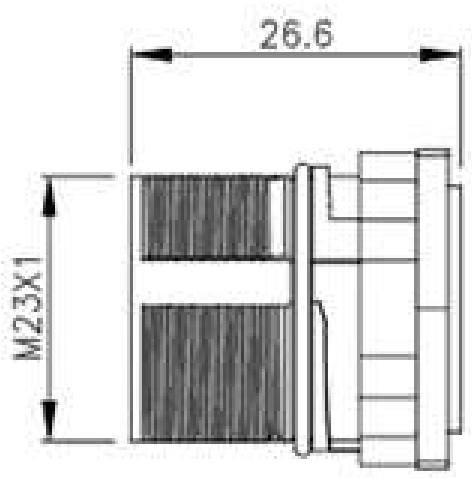
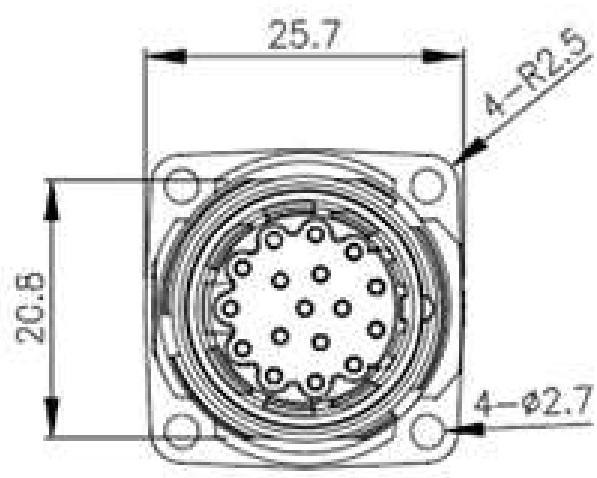
EYT-M23RLPM



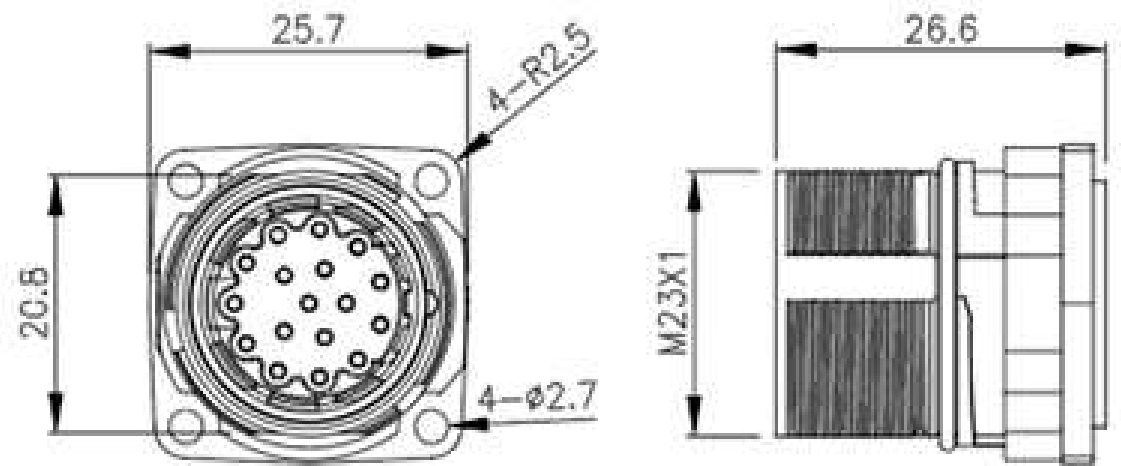
EYT-M23RLPH



EYT-M23RPH



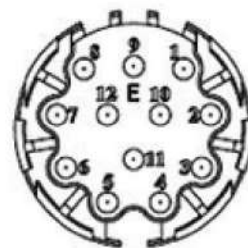
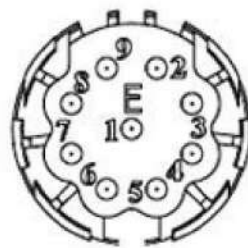
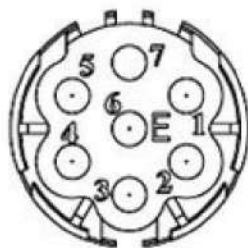
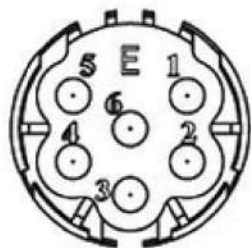
EYT-M23RPH



PINES : 6, 7, 9, 12, 17



CONFIGURACIONES : 6, 7, 9, 12, 17



Female Pin ϕ 1mm



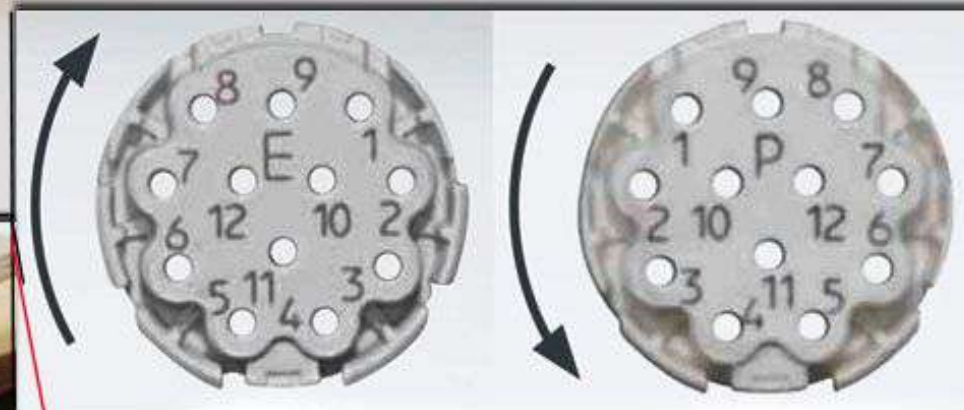
Male Pin ϕ 2mm



Male Pin ϕ 1mm



Female pin ϕ 2mm



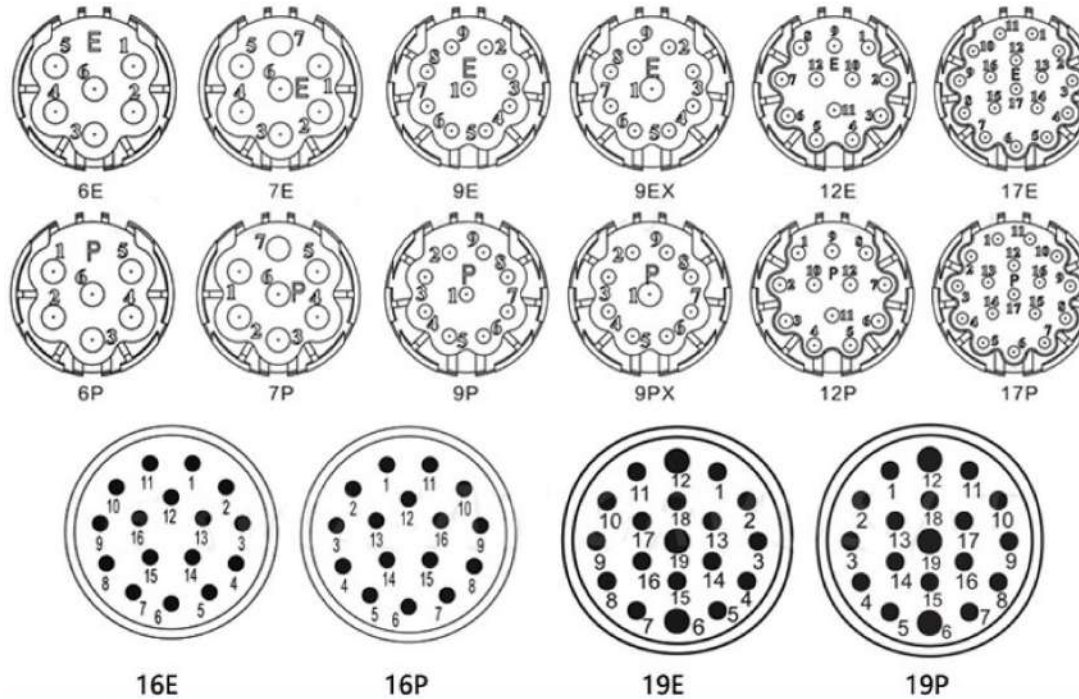
Docking plug



Plug

Only one for E type and other for P type can used as a set.

Pin Postion:



Material and specifications								
Coupling	Threaded coupling			Termination	Solder/ Crimping			
Shell material	Zinc alloys with nickelplate			Mating cycle	500			
Insert material	PA66+GF20%			Temperature range	-25°C ~ +85°C			
Contact material	copper(silverplated/gold)			Cable diameter	≤ φ4mm ~ ≤ φ8.0mm			
Technology parameter								
NO.of contacts	6	7	9	9X	12	16	17	19
Rated current/voltage	20A-300V	20A-300V	8A-300V	8A-260V 20A-300V	8A-260V	8A-260V	8A-260V	8A-125V 20A-200V
Operation limit voltage(AC.V.rms)	250	250	250	200	200	200	200	200
Withstanding voltage(AC.V.rms) 1 minute	2500	2500	2500	2500	2500	2500	2500	2500
(M Ω) D C 500V Insulation resistance(MΩ MIN.) at DC 500V	10 ¹⁰	10 ¹⁰	10 ¹⁰	10 ¹⁰	10 ¹⁰	10 ¹⁰	10 ¹⁰	10 ¹⁰
(M Ω) D C 1A Contact resistance (MΩ MAX.) AT DC 1A	3	3	3	3	3	3	3	3
(mm) Solder cup mouth aperture	2.4	2.4	1.3	1.3 2.4	1.3	1.3	1.3	1.3
(mm) Solder inter diameter	2	2	1	1×8 2×1	1	1	1	1×16 1.5×3